

► Brunata ETJ single-jet water meter for utility water

Single-jet impeller meter used for measuring hot and cold utility water and prepared for communication module

Characteristics

- Single-jet utility water meter
- Easy to read mechanical counter (can rotate 360°)
- Nickel-plated measuring chamber
- Measures cold water up to 30 °C
- Measures hot water up to 90 °C
- Reading in cubic metres with three decimals
- Can be installed either horizontally or vertically (see details on the reverse)
- EU approval class B (vertical axis when installed)



Further information

Brunata ETJ water meter is a single-jet impeller meter in a dry-running design with roller counter. To minimize damage caused by impurities or lime in the water, the meter is designed to provide maximum protection of shafts and bearings.

The meter can be installed either horizontally or vertically. The counter should not face downwards, but the meter can be rotated 360° for reading comfort.

Brunata ETJ is prepared to be equipped with the Brunata ClickOnETJ+ – communication module with radio transmitter.

NB: Please be aware that an extra 100 mm of space above the face of the meter is necessary for subsequent installation of the Brunata ClickOnETJ+

Accessories

- Fitting pipe: stainless, brass or galvanised
- Water meter joining G $\frac{3}{4}$ B x $\frac{1}{2}$ "
- Joining with ball valve G $\frac{3}{4}$ B x $\frac{1}{2}$ "
- Joining with ball valve and dirt filter $\frac{3}{4}$ " x $\frac{1}{2}$ "
- Non-return valve for filter ball valve
- Installation kit for replacement of larger meter

Type	Item no.
Cold-water meter G$\frac{3}{4}$B x 80 mm, max. 30 °C	
ETJ-K	19-7920-H
Hot-water meter G$\frac{3}{4}$B x 80 mm, max. 90 °C	
ETJ-V	19-7921-H
Cold-water meter G$\frac{3}{4}$B x 110 mm, max. 30 °C	
ETJ-K	19-7922-H
Hot-water meter G$\frac{3}{4}$B x 110 mm, max 90 °C	
ETJ-V	19-7923-H
Joining*	22-0203-A

*Please note: If an 80 mm version is used, the maximum depth of the union nut of the meter joining is 8,5 mm as measured from the contact surface of the gasket.

Available versions of Brunata ClickOnETJ+

Type	Item no.
Brunata ClickOnETJ+ Ver2	19-7931-A
Brunata ClickOnETJ+ Ver1	19-7930-A

Brunata is a Danish owned company. We have more than 90 years of experience within developing and producing meters, heat cost allocators, consumption accounts, meter services and latest substations. Today meters are often remotely read with access to the internet. We have a quality control system fulfilling DSIEN ISO 9001 and 14001.

Technical data

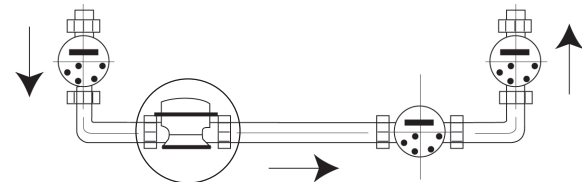
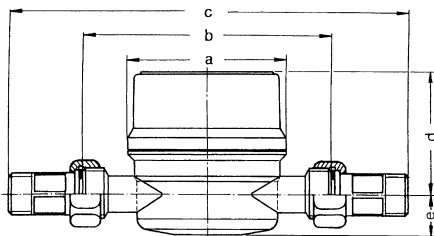
Type				ETJ – vertical axis when installed	ETJ – horizontal axis when installed
Nominal flow rate		q_n	m ³ /h	1.5	1.5
Maximum flow rate	briefly	q_{max}	m ³ /h	3.0	3.0
Transition flow rate		q_t	l/h	120	150
Minimum flow rate		q_{min}	l/h	30	60
Start flow rate for new meter		q_{start}	l/h	approx. 8.5	approx. 15
EU accuracy class	Vertical axis when installed			B	-
	Horizontal axis when installed			-	A
Measuring accuracy	Verification limits	$q_{min}-q_t$		± 5 %	
		q_t-q_{max}		± 3 %	
Max. temperature	Cold-water meter	Class B		30 °C	
	Hot-water meter	Class B		90 °C	
Pressure class				PN10	
Head loss at q_{max}		Δp	kPa	100	
Approval no.	Cold-water meter	30 °C		D 78 / 6.131.107	
Approval no.	Hot-water meter	90 °C		D 86 / 6.331.78	
Pulse output	Passive reed switch	Litres/pulse		10	

Dimensions

Type	ETJ				
Nominal connection		mm	15	15	15
	a	mm		70	
Length	b	mm	80	110	130
Length with joining	c	mm	159	189	209
Height	d	mm		60	
Height	e	mm		17,5	
Connecting thread	Meter	inches	G $\frac{3}{4}$ B	G $\frac{3}{4}$ B	G $\frac{3}{4}$ B
	Coupling	inches	R $\frac{1}{2}$	R $\frac{1}{2}$	R $\frac{1}{2}$
Installation position			horizontal or vertical		

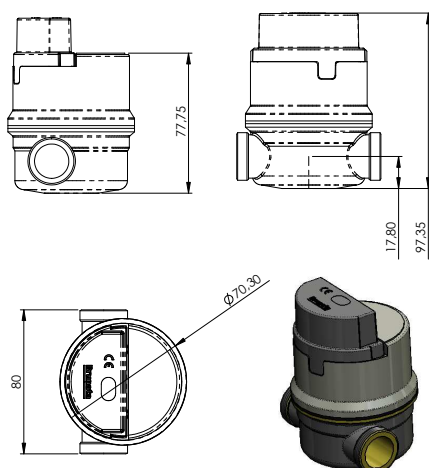
Please note: The meter is supplied without joining, which must be ordered separately.

Dimensional outline

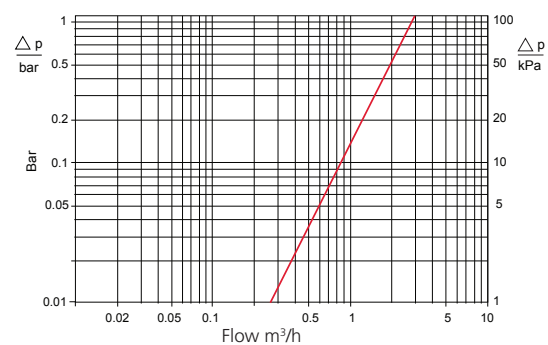


The circle shows the position in which the meter is most accurate, class B. In the other positions, the meter accuracy is class A.

With ClickOnETJ+



Head loss graph



Please note that Brunata makes reservations against operation faults due to lime build-up and blocking of the water meter. Brunata recommends installing a filter ball valve before the meter.

Please note that Brunata disclaims the responsibility for possible bimetallic corrosion damages to brass components of water meters installed in systems with stainless steel piping.