

► Brunata single-jet water meter, type BLZ

Single-jet mixer tap meter for cold and hot utility water

Characteristics

- Single-jet utility water meter for mixer tap
- A standard water meter in “special fittings”
- Easy-to-read, mechanical counter (can be rotated 360 °)
- Nickel/plated measuring chamber
- Suitable for use with cold water up to 30°
- Suitable for use with hot water up to 90°
- No changes are needed in the piping arrangement for installation
- Display reading in cubic metres (3 decimals)
- Pulse outlet for remote reading is optional
- Approved according to EEC, verified
- Approval class: B



Further information

The BLZ is a single-jet impeller meter in completely dry-running design with magnetic coupling designed especially for use in connection with mixer taps (must be installed on the back of the mixer tap). The counter of the meter has been evacuated to avoid condensation.

BLZ is available for the metering of cold and hot water respectively. If for instance only metering of hot water consumption is of interest a spacing fitting is available for installation on the cold water side.

Using standard meters in special fittings is more cost-effective when the meter is replaced for re-verification.

Type	Article no.
BLZ-fitting	19-7256-H

Can be combined with:

Type	Article no.
Cold-water meter	
ETJ-K	19-7920-H
Hot-water meter	
ETJ-V	19-7921-H
Cold-water meter, 10 litres/pulse	
ETR-K10-K	19-7910-H
Hot-water meter, 10 litres/pulse	
ETR-K10-V	19-7911-H
Spacing fitting, when installing only one meter	
BLZ-A	19-7255-H

Brunata is a Danish owned company. We have more than 90 years of experience within developing and producing meters, heat cost allocators, consumption accounts, meter services and latest substations. Today meters are often remotely read with access to the internet. We have a quality control system fulfilling DSI/EN ISO 9001 and 14001.

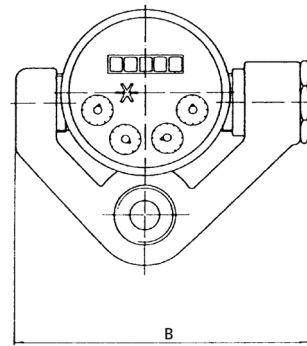
Technical data

Type				BLZ
Nominal flow rate		q_n	m ³ /h	1,5
Maximum flow rate	Transitory	q_{max}	m ³ /h	3,0
Transition flow rate		q_t	l/h	120
Minimum flow rate		q_{min}	l/h	30
EU accuracy class				B
Accuracy of measurement	Verification limits	$q_{min}-q_t$		± 5 %
		q_t-q_{max}		± 2 %
Max temperature	Cold-water meter	Class B		30 °C
	Hot-water meter	Class B		90 °C
Pressure class			Bar	PN10
Pulse output	Passive reed switch	Liter/pulse		10

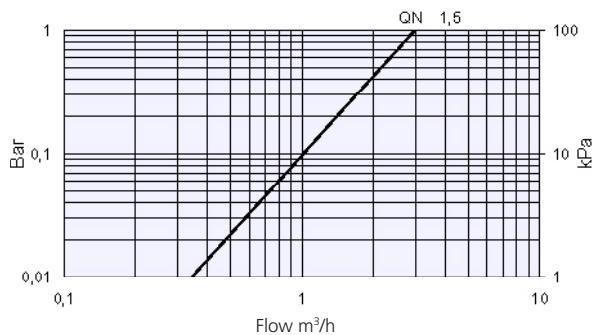
Dimensions

Type				BLZ
Length	L	mm		84
	L ₂	mm		56
Width	B	mm		129
Height	H	mm		115
Connecting thread	Meter	Inches		G3/4B
	Fittings	Inches		G3/4B

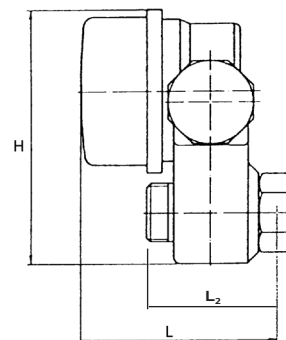
Dimensional outline



Head loss graph



The head loss curve is valid for a meter without fittings



Please note that Brunata makes reservations against operation errors due to lime or blocking of the water meter. Brunata recommends the installation of a filter ball valve before the meter.