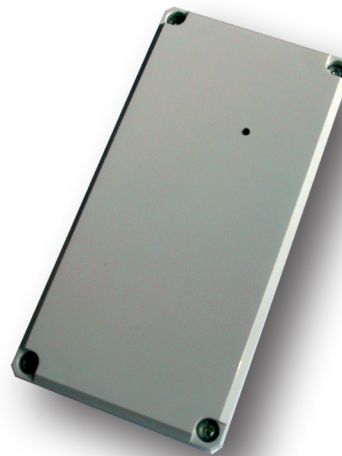


► BrunataNet RS485 FM Radio Receiver

The FM radio receiver is used in BrunataNet RS485 metering systems which incorporate meters with transmitter modules. Positioning of the receiver must take account of transmitting and receiving conditions. The number of receivers must also conform to the transmitting and receiving conditions within the individual installations. Typical locations are stairways or attics.



Communication with metering system

Protocol: B-bus, Brunata protocol
 Cable type: 2 x 2-core, twisted pair, diam. 0.6 mm
 Cable length (max.): 1200 m
 Connection to: RS485 data bus
 LED indicator: Displays green for OK, red for busy.

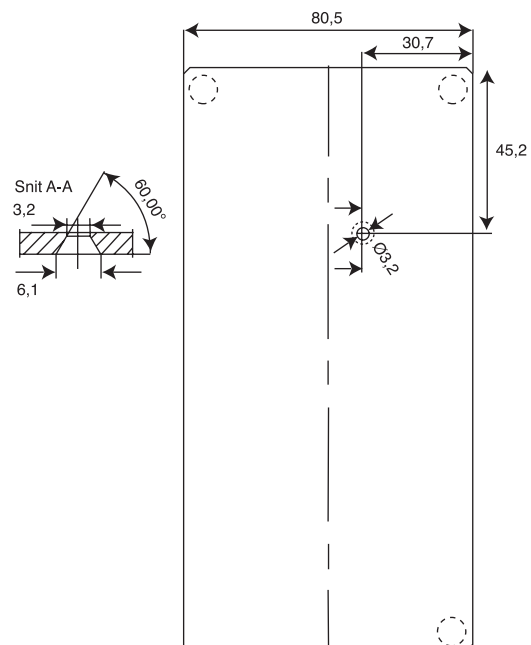
Communication med RF

Bus type: IMR-2
 Protocol: B-bus, Brunata protocol for RF
 Frequency: 433.92 MHz
 Modulation type: FSK (FM)
 Range: Up to 50 m depending on local conditions

Power supply

Power supplied from: Network cable
 Supply voltage: 12-30 V
 Power consumption (max.): 50 mA

Manufacturer: Brunata a/s
 Designation: Radio receiver
 Type: RM/RS485/FM
 Year designed: 2000
 Base: 80 x 160 x 57mm



Brunata is a 100 % Danish owned company. We have more than 85 years of experience within developing and producing heat cost allocators and heating accounts. Brunata als has implemented a quality system in accordance with EN ISO 9001. Please contact us for further information on our products.